

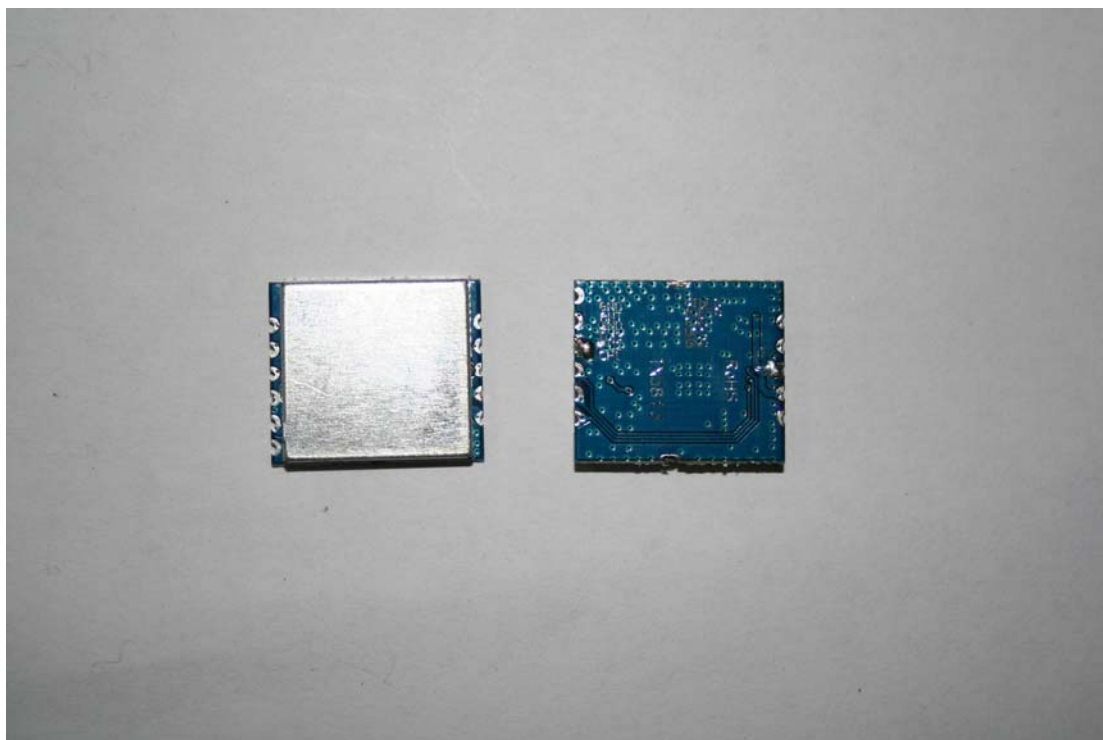
## PRODUCT SPECIFICATION

**MODE: TX5813**

### 5.8G AV Transmitter Module

	Modulate	Wideband FM Modulate			
	Video Format	NTSC/PAL			
	Characteristics	Value			
		Min.	Typ.	Max.	Units
1	Output Impedance	---	50	---	Ohm
2	Output Power	9	10	11	dBm
3	Frequency range	5705	---	5945	MHz
4	Operating Voltage	3.5	5.0	5.5	V
5	Supply current	---	170	180	mA
6	Operating Temperature	-10	---	+85	°C
7	Video Band Width	0	---	8.0	MHz
8	Audio carrier Frequency	---	6.5	---	MHz
9	Video input Level	0.9	1.0	1.1	Vp-p
10	Video input Impedance	---	75	---	Ohm
11	Audio input lever	0.5	---	2.0	Vp-p
12	Audio input Impedance	---	10K	---	Ohm
13	Weight	---	10	---	g
14	Dimensions(L x W x H)	22 x 19 x 3 mm			

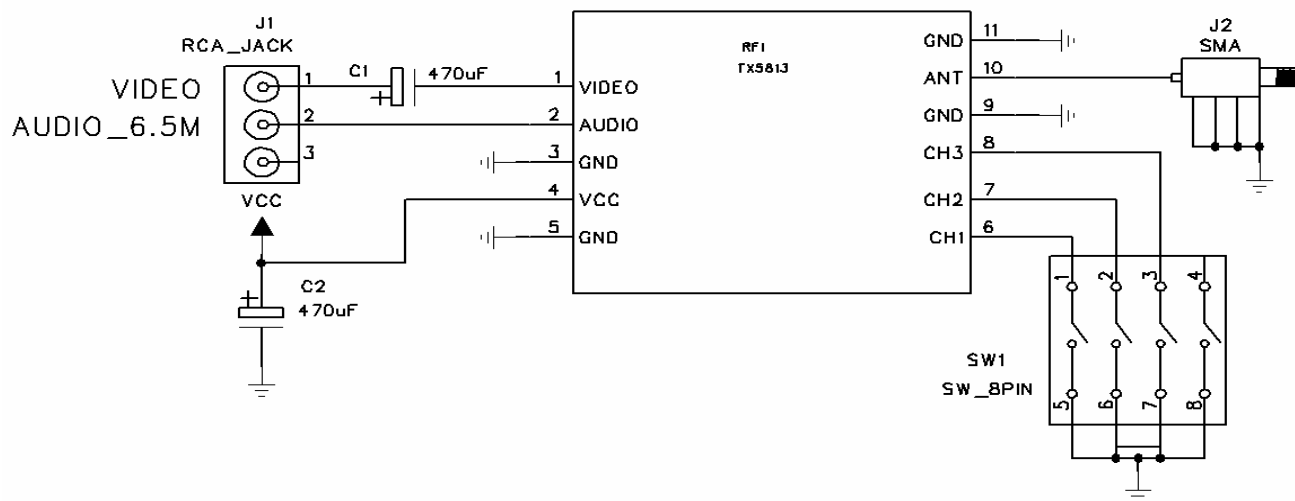
## Picture:



## Pin descriptions

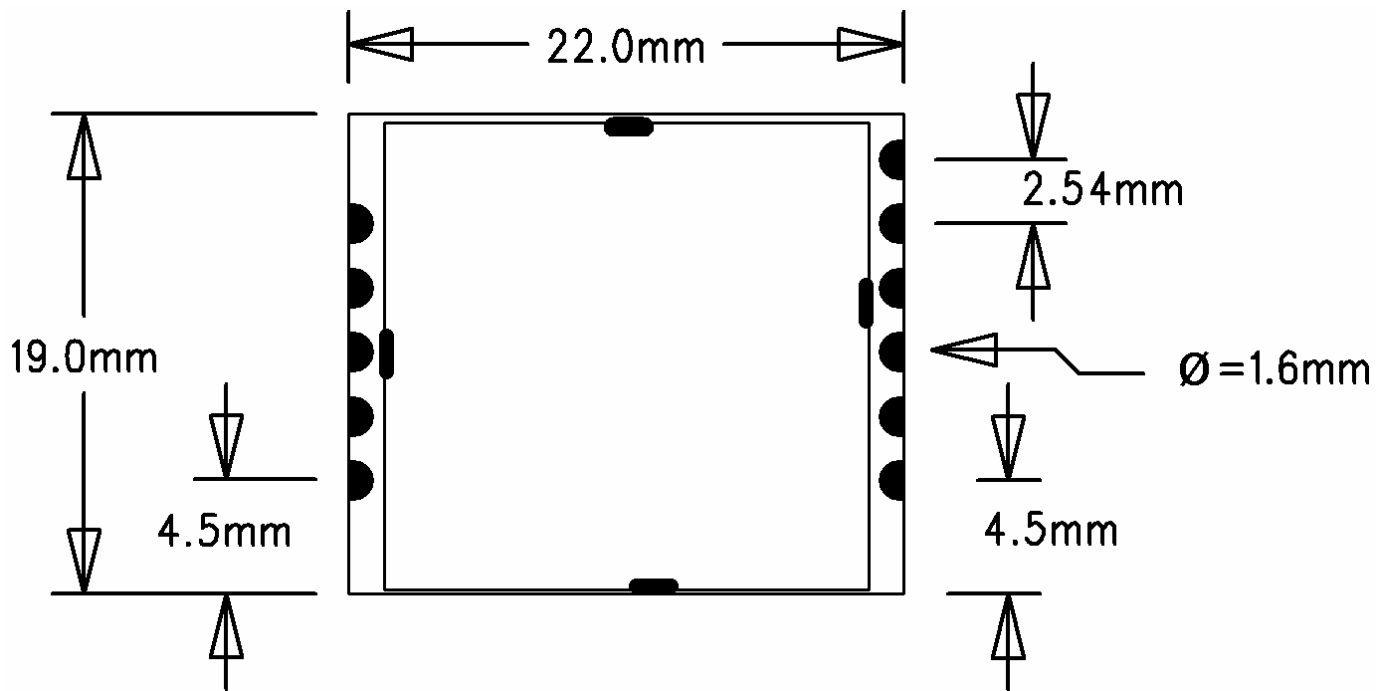
		PIN	NAME	I/O	FUNCTION
		1	GND	I	Antenna ground
		2	ANT	I	Antenna input: 50 Ohm
		3	GND	I	Antenna ground
		4	CH1	I	Channel 3 select
		5	CH2	I	Channel 3 select
		6	CH3	I	Channel 3 select
		7	GND	I	Power ground
		8	+5V	I	5V power DC in
		9	RSSI	O	RSSI output voltage
		10	A6.5M	O	Audio input
		11	VIDEO	O	Video input
		12	GND	I	Power ground

**Application diagram:**



**Channel select:**

Channel number	CH1	CH2	CH3	CH4	CH5	CH6	CH7	CH8	
TX frequency(MHz)	5705	5685	5665	5645	5885	5905	5925	5945	
Pin level	CH1	0	1	0	1	0	1	0	1
	CH2	0	0	1	1	0	0	1	1
	CH3	0	0	0	0	1	1	1	1

**Dimension:****Side View:**